



## HEAVY MANHOLE COVER T(C250)K



### General information

"T-C250" manhole cover is installed on dense city roads.

### 1. General information and specifications:

Standard; EN 124-2 ; GOST 3634-2019

Body size; 805 mm

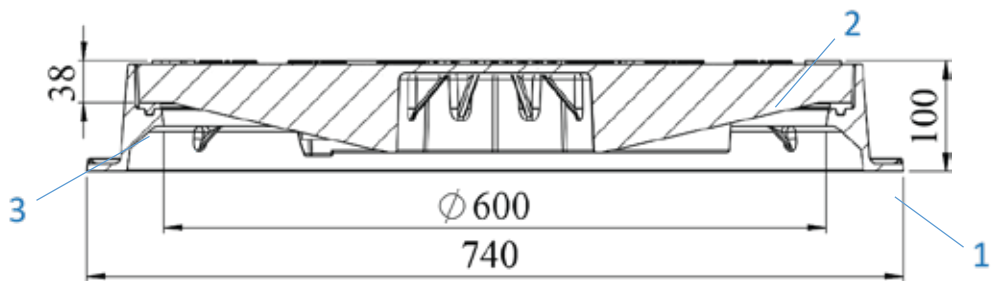
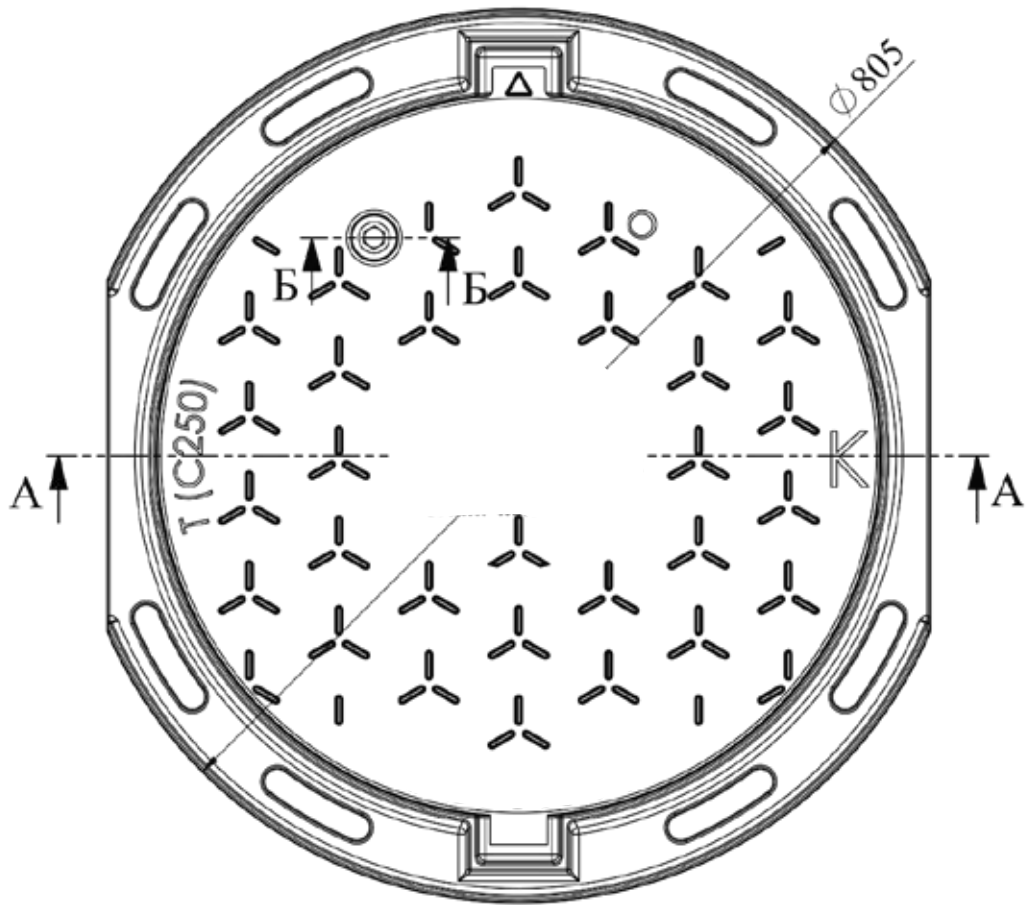
Opening diameter of passage; 600 mm

Body height; 100 mm

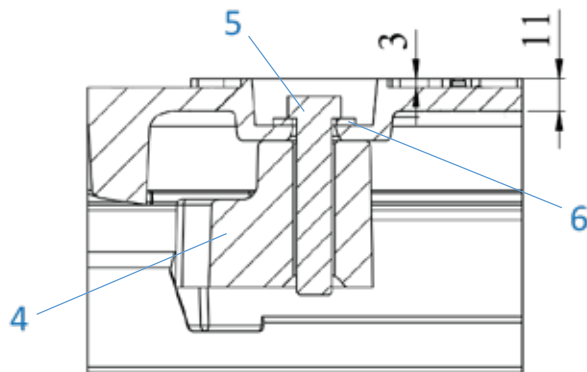
Regulatory load; 250 kN

Weight; 48.4 kg

Material: high-strength spherical graphite cast iron GGG50.



A-A



B-B



## 2. Supply set

DETAIL	QUANTITY
Body	1
Cover	1
T-rubber	1
Locking system	1
Bolt	1
Passport	1

\*It is allowed to prepare 1 passport for a group of product of not more than 10 pieces.

### 3. Warranty obligations:

The warranty period is 3 years from the date of commissioning, but not more than 5 years from the date of shipment from the enterprise.

Assigned service life- 20 years

Storage conditions of rainwater grilles–group Ж 1 GOST 15150

The limiting criterion is the presence of damage (cracks, debris, etc.)

### 4. Usage information:

At the end of its service life, the product is not dangerous for life, human health and the environment. The use of a rainwater grill can be done in any way, without restrictions.

\*Note: Assignment of engineering networks:

- Domestic and industrial sewerage;
- Plumbing;
- Fire hydrant;
- Rainwater sewerage;
- Heating line;
- Gas line;
- City cable network;
- City telephone network